

CATCHES & MISCELLANEOUS HARDWARE



A33 BL BLACK
A33 W WHITE



A508 BL BLACK
A508 W WHITE



E503 LARGE ROLLER CATCH



E504 ROLLER CATCH



E505 ROLLER CATCH



E590 MAGNETIC CATCH



E592 HD MAGNETIC CATCH



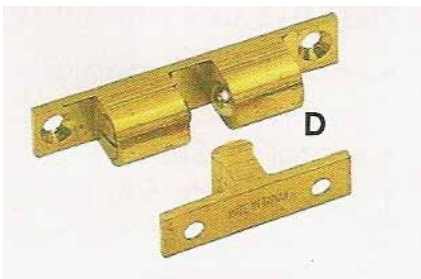
E600 MAGNETIC CATCH



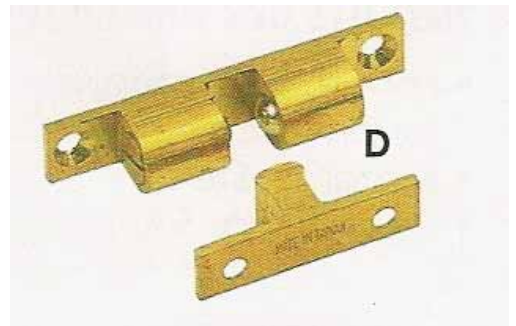
E1001 MAGNETIC CATCH



E1010 BR MAGNETIC CATCH



E1012 DB SMALL BALL CATCH
E1012 DC SMALL BALL CATCH

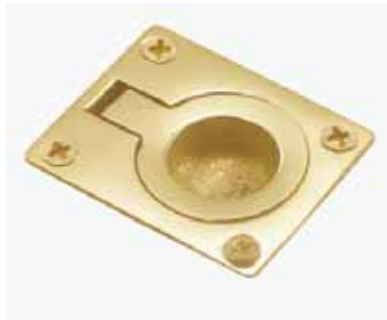


E1013 DB LARGE BALL CATCH
E1013 DC LARGE BALL CATCH

CATCHES & MISCELLANEOUS HARDWARE



E1018 DB FINGER CATCH
E1018 DC FINGER CATCH



DP423 POLISHED BRASS FINGER PULL



DP46-A PULL
DP46-2 PULL



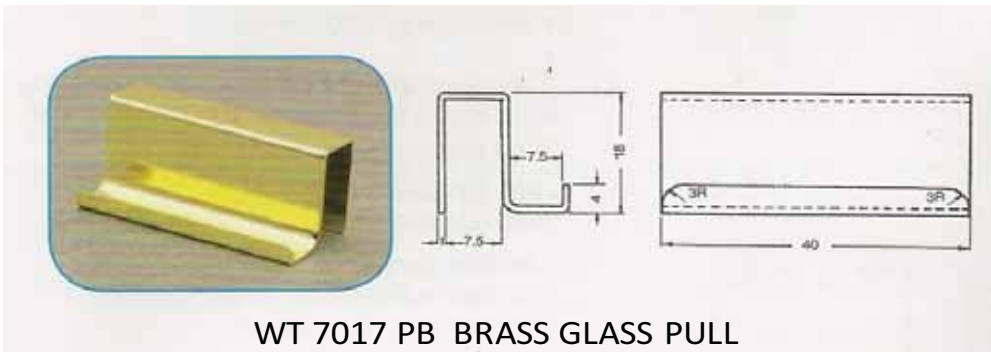
M559 BL BLACK TOUCH LATCH
M559 W WHITE TOUCH LATCH



E509 BL BLACK
E509 PB POLISHED BRASS
E509 PC POLISHED CHROME



E510 BL BLACK
E510 PB POLISHED BRASS
E510 PC POLISHED CHROME



WT 7017 PB BRASS GLASS PULL
WT7018 PC CHROME GLASS PULL

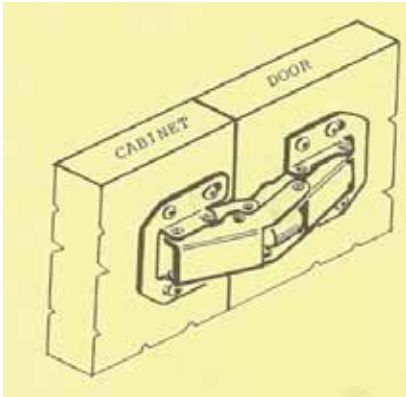


SM5CZ SMALL ROLLER CATCH

MTCHLTCH/J Z
The Original TUTCH-LATCH
 The originator of the push-to-open, push-to-close concealed catches eliminates the need for exterior pulls or knobs. Positions at side, bottom or under-shelf. Easy installation with supplied template. Statuary bronze or nickel finishes.
 3" long x 1-3/8" wide, holes on 1" centers

MTL TOUCH LATCH

CATCHES & MISCELLANEOUS HARDWARE



SH2000 CONCEALED HINGE

H-899 Restaurant Table Hinge is Back!

Retooled!
Redesigned!
Re-engineered!

Turn a square table into a round table.
58% increase in area!

Heavier steel.
Stronger spring-steel holdup clip to hold up heavy leaves.
Precision assembly for durability and ease of function.
Tighter fitting of the coils to ensure flat opening.
Peening of ends to lock pins in place.

SH899 P TABLE HINGE

S-7 SPECIALTY LID SUPPORTS **SELBY** Furniture Hardware www.selbyhardware.com S-7

DELTAthe amazing lid stay that's **convertible!**
reversible!
adjustable!
demountable!

Mount the brackets separately? **YES!**
Precisely adjust the braking power? **YES!**
Switch a left-hand stay to right-hand? **YES!**
Stop the lid at intermediate positions? **YES!**
Switch a lift-up stay to a drop down stay? **YES!**

FUNCTION ACTUATOR
Changes direction of brake from up-opening to down-opening.

TENSION CONTROL
Braking tension adjusts with #4 Allen Wrench

Horizontal Lid LIFT-UP to 75°

Vertical Lid LIFT-UP to 75°

Vertical Lid LIFT-UP to 90°

Horizontal Lid LIFT-UP to 90°

Vertical Lid DROP-DOWN to 90°

- ▶ Strong, die-cast nickel-plated zamak for lids up to 20 lbs! Lighter lids require only one fitting. Only 8" long overall.
- ▶ All holes on 32mm centers and can be placed either 27mm or 32mm from the leading edge for users of the 32mm combination drilling system.
- ▶ Application has been made simple since brackets are fastened to the cabinet separately and then snap onto the fitting!
- ▶ Angle of opening varied from 75° to 90° by relocation of brackets and varies according to type of hinge used.
- ▶ Adjusts from sliding, braking action to hold at intermediate positions.
- ▶ Reverses tension direction from **LIFT-UP** to **DROP-DOWN** function
- ▶ Fastens interchangeably, **LEFT** or **RIGHT**.

S DELTA REVERSE LID STAY

GLASS DOOR CLIPS



FLUSH 1803CL

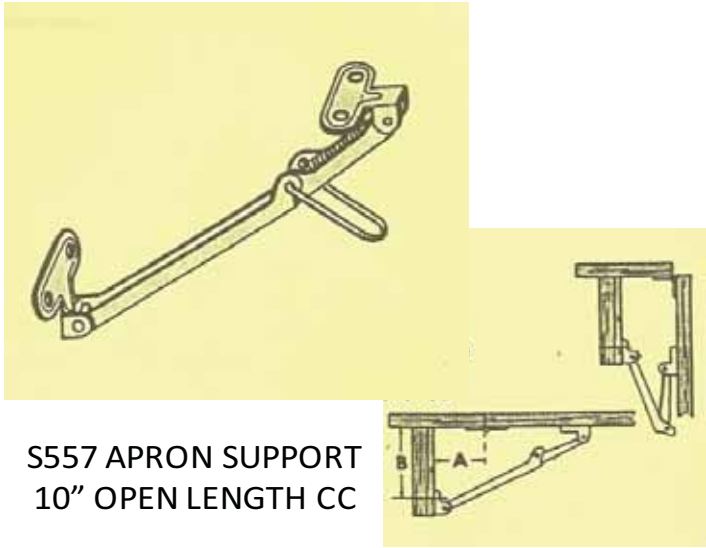


1/8" 1813CL

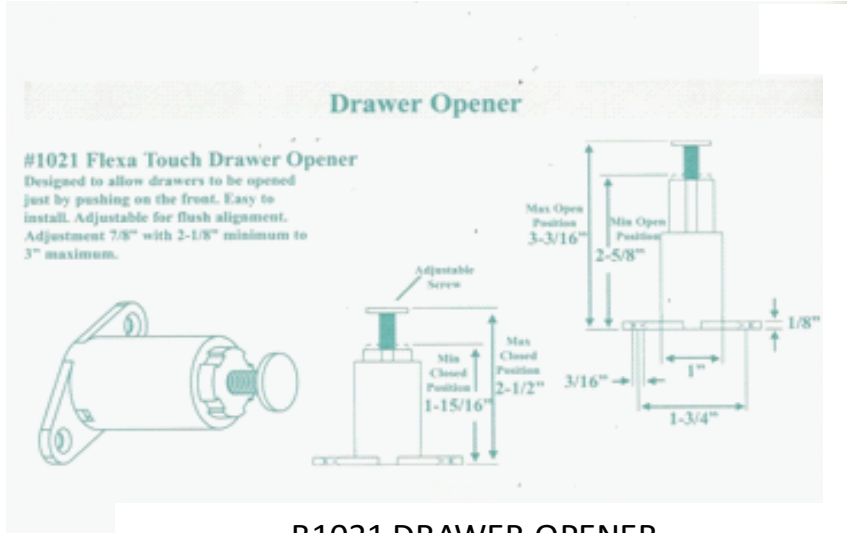


3/16" 1823CL

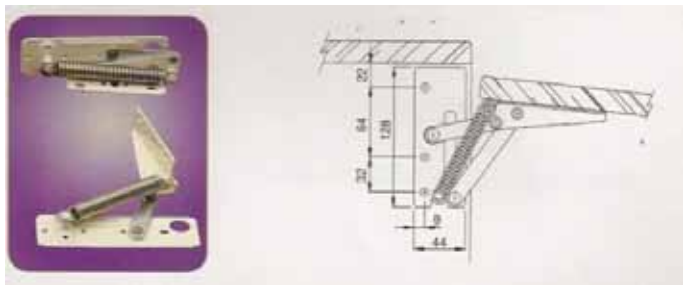
CATCHES & MISCELLANEOUS HARDWARE



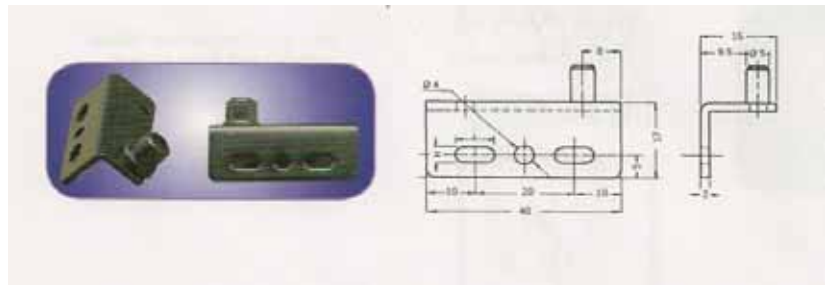
S557 APRON SUPPORT
10" OPEN LENGTH CC



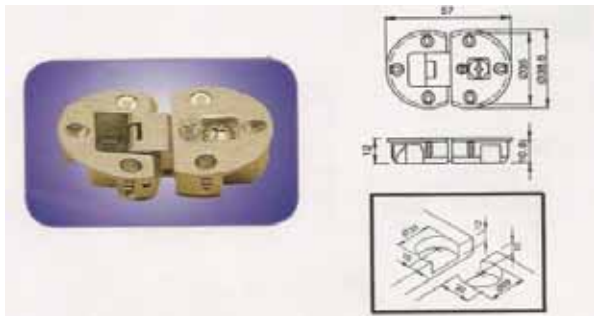
B1021 DRAWER OPENER



WT3221 LIFT UP LID SUPPORT



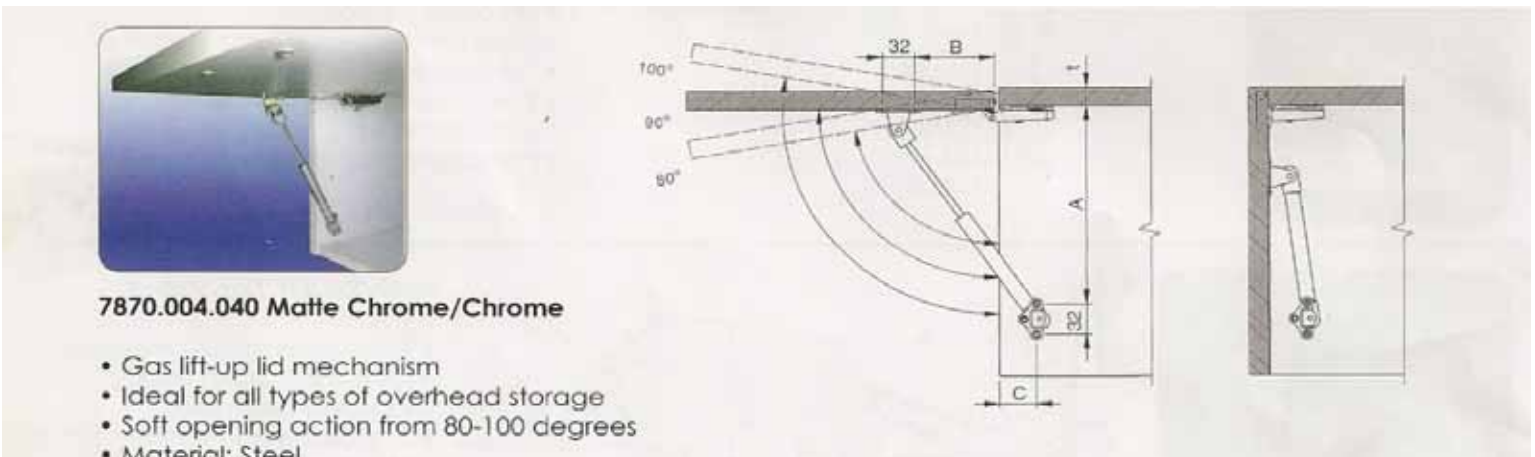
WT7060 WOOD DOOR PIVOT HINGE



WT2351 FLAP HINGE



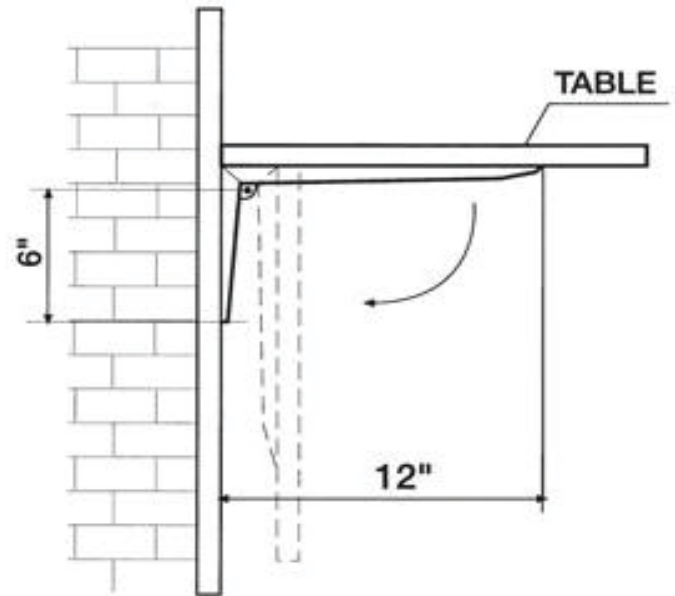
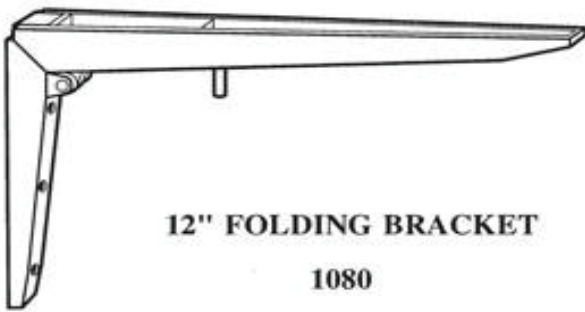
7238-93-2 PULL CATCH



WT7870 GAS LIFT LID MECHANISM

TRIK TRACK FOLDING BRACKET & PIANO HINGE

- 80 LBS. CAPACITY PER SET
- BLISTER PACKED
- ALL HARDWARE SUPPLIED
- SOLD IN PAIRS



72" PIANO HINGE

BRASS PLATED

1 1/4" X 72"

1 1/2" X 72"

NICKEL PLATED

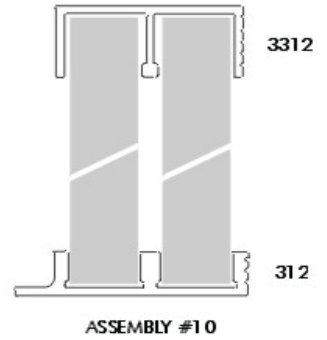
1 1/4" X 72"

1 1/2" X 72"

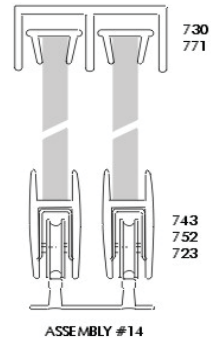
2" X 72"

GLASS DOOR AND BYPASS TRACK

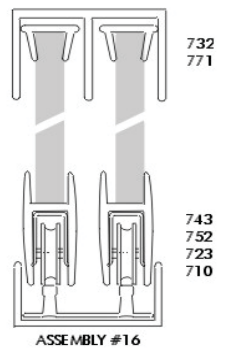
E8A6 6' X ¼" ALUMINUM TRACK FOR WOOD/GLASS
 E10A6 6' X ½" ALUMINUM TRACK FOR WOOD DOOR
 E11A4 4' X ¾" ALUMINUM TRACK FOR WOOD DOOR
 E11A6 6' X ¾" ALUMINUM TRACK FOR WOOD DOOR



E14A4 4' X ¼" ALUMINUM TRACK FOR GLASS DOOR
 E14A6 6' X ¼" ALUMINUM TRACK FOR GLASS DOOR



E16A6 4' X ¼" ALUMINUM TRACK FOR GLASS DOOR
 WITH 710A TRACK BASE



E2214-1/4 ¼" X 12' PLASTIC TRACK FOR WOOD/GLASS DOOR
 E3BL6 ¼" X 6' BLACK PLASTIC TRACK FOR WOOD/GLASS DOOR
 E3WH6 ¼" X 6' WHITE PLASTIC TRACK FOR WOOD/GLASS DOOR
 E2212-1/2 ½" X 12' PLASTIC TRACK FOR WOOD DOOR
 E2234-3/4 ¾" X 12' PLASTIC TRACK FOR WOOD DOOR
 E5WH6 ¾" X 6' WHITE PLASTIC TRACK FOR WOOD DOOR

