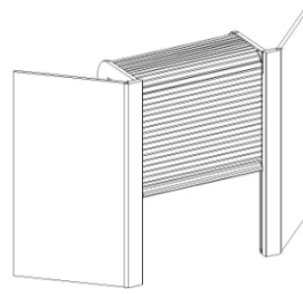


OMEGA APPLIANCE GARAGE AND TAMBOUR KITS

OMEGA CORNER APPLIANCE GARAGE with wood tambour door. End panels are veneer faced and backed on 3/8 MDF, using plain sliced veneer. Finger-Lite track system

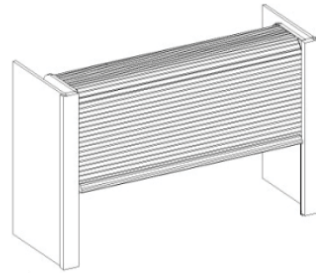


Omega AO100
 W: 16-3/4"
 H: 18"
 D: 11-1/8"
 Easily trimmable.

Veneer door for 24" corner

| | |
|----------|---------|
| AG100CVM | MAPLE |
| AG100CVR | RED OAK |
| AG100CVC | CHERRY |

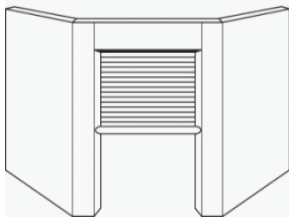
Omega AO160
 W: 30"
 H: 18"
 D: 11-3/4"
 Easily trimmable.



OMEGA STRAIGHT APPLIANCE GARAGE with wood tambour door. End panels are veneer faced and backed on 3/8 MDF, using plain sliced veneer. Finger-Lite track system

Veneer door for 30" straight

| | |
|----------|---------|
| AG100SVM | MAPLE |
| AG100SVR | RED OAK |
| AG100SVC | CHERRY |



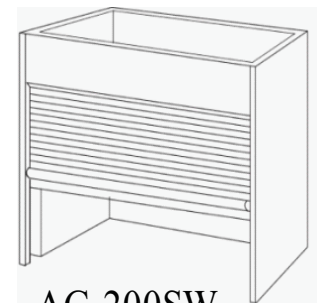
AG-200CW

W: 16.75"

H: 18"

D: 11.125"

EURO STYLE straight & corner appliance garage with modified solid-look painted tambour door on unique miter-folded face frame and end panels. Vinyl laminated end panels/face frame/top rail. Hoffco Spring Tension track system. Smooth non-binding operation. Easy to install.



AG-200SW

W: 24"

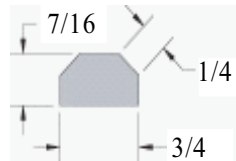
H: 18"

D: 11 7/8"

OMEGA WINE LATTICE, RACK, & STEMWARE

Omega Deluxe Wine Racks

Panels are produced from sturdy mouldings 3/4" wide x 7/16" thick with square edges. Glued and mechanically fastened at joints. Bottle openings are 3-3/4" x 3-3/4". Routed Face for a custom look. Easily cut to desired size. Boxed two pieces per carton.

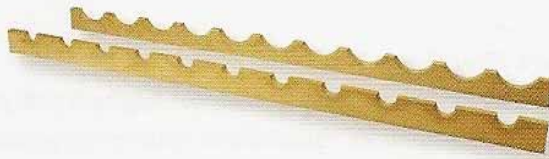


17"X 36" 14 FULL BOTTLE OPENINGS

- L3360OUF2 RED OAK
- L3360MUF2 MAPLE
- L3360CUF2 CHERRY

23"X 42" 28 FULL BOTTLE OPENINGS

- L3320OUF2 RED OAK
- L3320MUF2 MAPLE
- L3320CUF2 CHERRY



Wine Bottle Rack

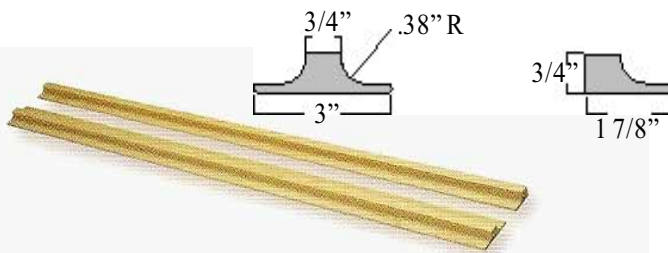
Solid wood wine bottle rack. A great alternative to our wine bottle lattice panels, the 48" bottle rack holds eleven wine bottles and is easily trimmed for and installed in any size cabinet or shelf. Stack multiple units for a custom display. Sanded and ready to finish. Boxed per pair.

18" WINE BOTTLE RACK

- S9230OUF1 RED OAK
- S9230MUF1 MAPLE
- S9230CIF1 CHERRY

30" WINE BOTTLE RACK

- S9210OUF1 RED OAK
- S9210MUF1 MAPLE
- S9210CUF1 CHERRY



Stemware Moulding

Solid wood, fully sanded and ready to finish. 62" lengths in both profiles allow custom installation for residential or commercial applications.

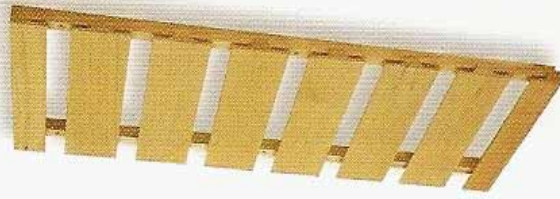
STEMWARE RACK "L" 62"

- M4600OUF2 RED OAK
- M4600MUF2 MAPLE
- M4600CUF2 CHERRY

STEMWARE RACK "T" 62"

- M4640OUF2 RED OAK
- M4640MUF2 MAPLE
- M4640CUF2 CHERRY

STEMWARE RACK



Stemware Rack

Solid wood Stemware Rack is designed to display your beautiful and valuable stemware collection. Accommodates most stemware styles. Boxed individually.

18" STEMWARE RACK

S9600OUF1 RED OAK

S9600MUF1 MAPLE

S9600CUF1 CHERRY

36" STEMWARE RACK

S9630OUF1 RED OAK

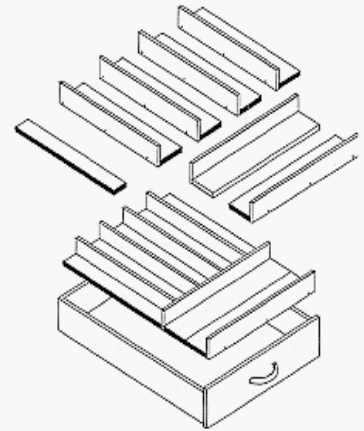
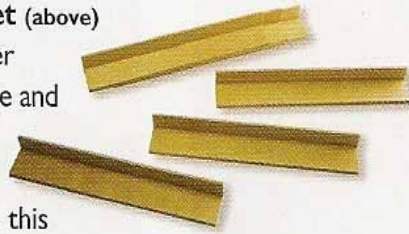
S9630MUF1 MAPLE

S9630CUF1 CHERRY

UNIVERSAL DRAWER INSERT SET

Universal Drawer Insert Set (above)

Our patented Universal Drawer Insert is one of the most versatile and economical systems on the market today. Constructed of maple hardwood and plywood, this kit is completely modular. It utilizes the entire drawer and can be assembled in any configuration for flatware, cooking utensils, or any kitchen organization solution. Durable UV coating.



Universal Drawer Insert Kit
Features (6) assembled pieces and (1) trimmable filler per set. Maple and Birch construction.

C0491MNL1 19-3/4" LENGTH, 2-15/16 WIDTH

6 PIECES PLUS FILLER

KELLEY'S CABINET SUPPLY, INC.
PHONE (863) 665-6058
LAKELAND, FL

(800) 282-3653

KELLEY'S CABINET SUPPLY, INC
PHONE (352) 547-1883
OCALA, FL.

INTERIOR CABINET STORAGE & ORGANIZATION

Plate Display- RTA-Fluted

Utilizing the same great design and craftsmanship as our pre-assembled version, our ready-to-assemble version with intricately *fluted* dowels is perfectly suited for a variety of cabinet types and sizes. Dowels spaced 2" on center. Kit includes 2 top and bottom predrilled rails and (32) 12" fluted dowels. Can be trimmed to any size. Boxed per kit.

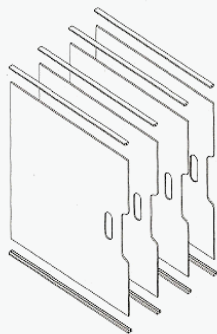
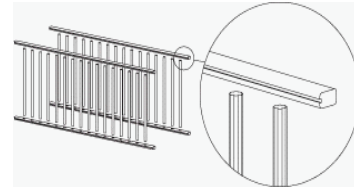


36" RTA FLUTED PLATE DISPLAY

P1100OUF2 RED OAK

P1100MUF2 MAPLE

P1100CUF2 CHERRY



Tra-Sta

Dividers:

W: 23-3/4"
H: 23-3/4"

Rails:

W: 3/4"
L: 24"

Tra-Sta

Our Tra-Sta is the perfect storage solution for cookie sheets, baking trays and muffin pans. Four prefinished Maple veneer dividers slide in grooved and predrilled top and bottom rails. Designed to be fastened in multiple locations to accept a variety of pots, pans or lids. Easily trimmable to fit any size cabinet.



TRA-STA ORGANIZER

TS2424 INCLUDES 4 FINISHED DEVIDERS & 8 DRILLED RAILS



Omega Cutlery Drawer System

Unique kitchen utensil drawer simply replaces a cabinet drawer. Complete with hardwood knife block, cork insert, hardwood cutting board and drawer system frame our cutlery drawer comes in four widths for most any size drawer.

CUTLERY DRAWER SYSTEM

C0100BNL1 3-7/8 X 11-11/16 X 22-1/2

C0140BNL1 3-7/8 X 14-11/16 X 22-1/2

C0160BNL1 3-7/8 X 17-11/16 X 22-1/2

C0180BNL1 3-7/8 X 20-11/16 X 22-1/2

CHEFS PANTRY SYSTEM

Chef's Pantry System

Our Chef's Pantry Systems are not only beautiful but they are heavy duty as well. Our double pantry, single pantry, upper door or 24" base pantry provides ideal storage right where you need it. Manufactured from maple hardwoods and veneers, our pantry systems are highly versatile and allow for many different shelving configurations.



CHEF'S PANTRY SYSTEM

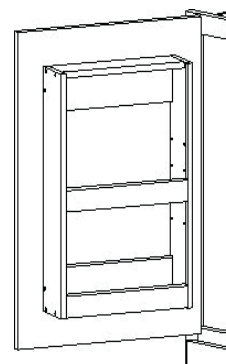
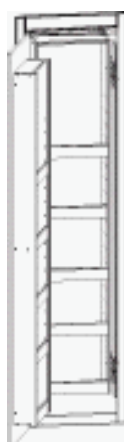
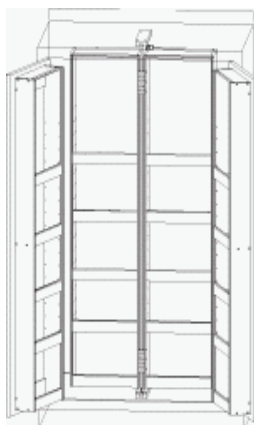


Courtesy Wellborn Cabinet Co.

Chef's Pantry System Clear Catalyzed Finish

| PART # | DESCRIPTION | CARTON QTY/ WT |
|-------------------------------|---|----------------|
| Double Pantry System | | |
| P0251DNL1 | (2) Swing-Out Units 51-1/2"H x 12-1/4"W x 7"D (2) Door Units 51-1/2"H x 12-1/4"W x 3-3/4"D | 1 Set/64lbs |
| Center Mounting Panel* | | |
| P0261DNL1 | 54-1/2"H x 3/4"W x 7"D | 1 Piece/10lbs |
| Single Pantry System | | |
| P0252DNL1 | (1) Swing-Out Units 51-1/2"H x 12-1/4"W x 7"D (1) Door Unit 51-1/2"H x 12-1/4"W x 3-3/4"D | 1 Set/36lbs |
| Upper Door System | | |
| P0262DNL1 | (2) Door Units 18-1/2"H x 12-1/4"W x 3-3/4"D | 1 Set/10lbs |

* Center Mounting Panel Sold Separately



KELLEY'S CABINET SUPPLY, INC.
PHONE (863) 665-6058
LAKELAND, FL

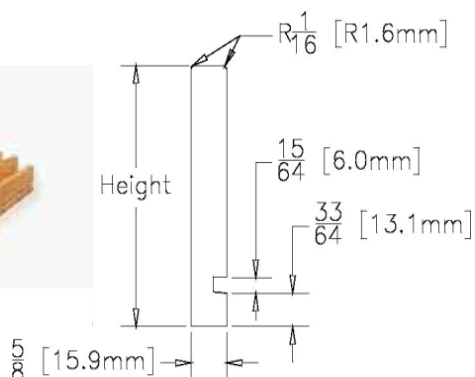
(800) 282-3653

KELLEY'S CABINET SUPPLY, INC
PHONE (352) 547-1883
OCALA, FL.

DRAWER SIDES—GALLEY RAIL—ISLAND LEGS

Solid Birch Drawer Parts

Sides and fronts/back are 5/8" solid edge glued birch components. Straight and true, our drawer components are finished with a durable UV coating and available in 6 sizes for any drawer application. Sides are 22" and fronts/back are 67". Drawer bottoms are also available in 5mm *Baltic Birch Plywood.



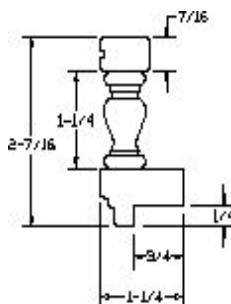
SOLID BIRCH DRAWER SIDES 67"

| | |
|-----------|-----------|
| D8050DNL2 | 4" X 67" |
| D8060DNL2 | 6" X 67" |
| D8065DNL2 | 8" X 67" |
| D8075DNL2 | 10" X 67" |



Galley Rail

Decorative rail for use along top of cabinets, book shelves, etc. Fully sanded and ready for finishing. Packaged 24 pieces per box.



GALLEY RAIL CORNER 72"

- G9160OUF2 OAK
- G9160MUF2 MAPLE
- G9160CUF2 CHERRY

GALLEY RAIL CORNER 92"

- G180OUF2 OAK
- G180MUF2 MAPLE
- G180CUF2 CHERRY

BEADED AND FLUTED



Kitchen Island Legs

We have applied our expertise at moldings and developed a line of high quality Kitchen Island Legs. Available in 34-1/2" lengths with multiple design options and 3 wood species. Completely sanded and ready to finish.

BEADED ISLAND LEG 3" X 34-1/2"

- B1510OUF2 OAK
- B1510MUF2 MAPLE
- B1510CUF2 CHERRY

FLUTED ISLAND LEG 3" X 34-1/2"

- B1500OUF2 OAK
- B1500MUF2 MAPLE
- B1500CUF2 CHERRY

SPLIT ROPE & DENTAL MOULDING

Rope Moulding

Our split Rope Mouldings have long been coveted by our OEM customers for their high quality and true machining. We now offer our rope moulding to our entire customer base. Every piece of our rope moulding is sanded by hand and blemish-free to ensure superior workmanship and 100% yield. Available in 3/8", 1/2", 3/4", 1" and 1-1/2" widths in 8 ft lengths in 5 species. Available small quantity. Random length also available.



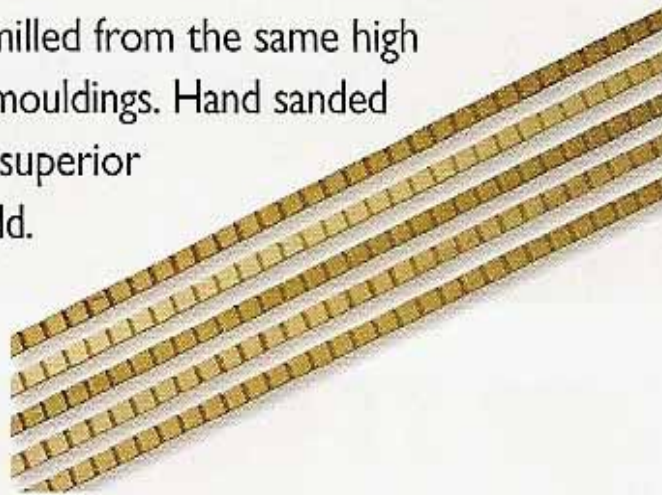
SPLIT ROPE MOULDING

| | | |
|-----------------------------|-----------|---------|
| 1/2" X 7/32", 96" LENGTH | M0051MUF2 | MAPLE |
| 3/4" X 5/16", 96" LENGTH | M0052OUF2 | RED OAK |
| 3/4" X 5/16", 96" LENGTH | M0052MUF2 | MAPLE |
| 3/4" X 5/16", 96" LENGTH | M0052CUF2 | CHERRY |
| 1-1/2" X 11/16", 96" LENGTH | M0044MUF2 | MAPLE |

Dentil Moulding

Our Dentil Mouldings are milled from the same high grade lumber as our rope mouldings. Hand sanded and blemish-free to ensure superior craftsmanship and 100% yield.

Available in 3/4" and 5/8" widths in 8 ft lengths or 4 ft lengths in 5 species.



DENTAL MOULDING

| | | |
|-------------------------|-----------|---------|
| 1-2" X 3/4", 96" LENGTH | M0061OUF2 | RED OAK |
| 1-2" X 3/4", 96" LENGTH | M0061MUF2 | MAPLE |
| 1-2" X 3/4", 96" LENGTH | M0061CUF2 | CHERRY |

BEADED/FLUTED FILLERS WITH CAPS



Beaded/Fluted Fillers

Simply the best reversible filler moulding on the market. Designed for either beaded or fluted applications, one moulding makes it simple and economical. Moulded from our high quality lumber, this moulding is even offered with beaded/fluted rosettes for a completely finished look. Four wood species, three lengths and two widths. Angled version also available.



BEADED/FLUTED FILLERS

- M4318OUF2 3"X969" RED OAK
- M4318MUF2 3"X969" MAPLE
- M4318CUF2 3"X969" CHERRY
- M3868OUF2 6"X969" RED OAK
- M3868MUF2 6"X969" MAPLE
- M3868CUF2 6"X969" CHERRY



3" X 3" ROSETTE, COVE EDGE BEADED 6" X 6" ROSETTE COVE EDGE FLUTED

- | | | | |
|-----------|---------|-----------|---------|
| R8171OUF2 | RED OAK | R8211OUF2 | RED OAK |
| R8171MUF2 | MAPLE | R8211MUF2 | MAPLE |
| R8171CUF2 | CHERRY | R8211CUF2 | CHERRY |

3" X 3" ROSETTE COVE EDGE FLUTED 3" X 5-1/2" CAP WITH OVAL DAISEY BEADED

- | | | | |
|-----------|---------|------------|---------|
| R8111OUF2 | RED OAK | R43001OUF2 | RED OAK |
| R8111MUF2 | MAPLE | R43001MUF2 | MAPLE |
| R8111CUF2 | CHERRY | R43001CUF2 | CHERRY |

3" X 12" PLAIN, W/OUT EDGE, BEADED 3" X 5-1/2" CAP WITH OVAL DAISEY FLUTED

- | | | | |
|------------------------------------|-------|------------|--------|
| R8191MUF2 | MAPLE | R43401OUF2 | REDOAK |
| 3" X 12" PLAIN, W/OUT EDGE, FLUTED | | R43401MUF2 | MAPLE |
| R8151MUF2 | MAPLE | R43401CUF2 | CHERRY |

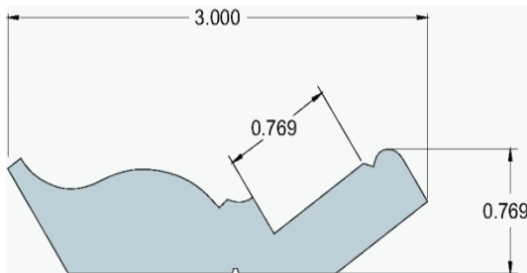
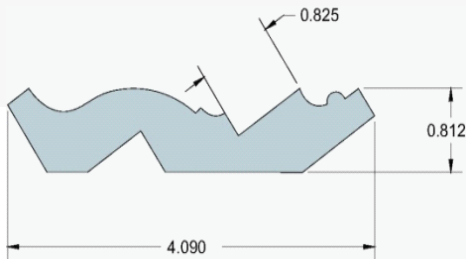
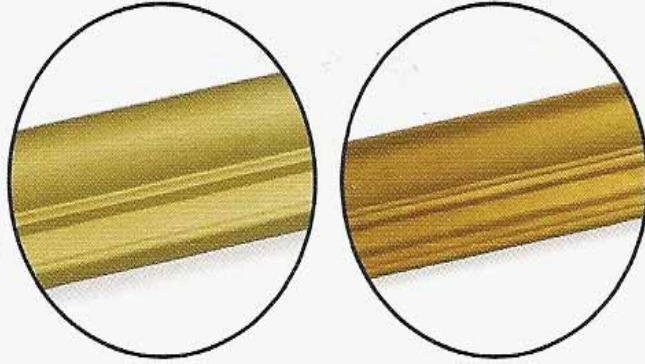
6" X 6" ROSETTE COVE EDGE BEADED 3" X 3" CARVED ROSETTE, ACANTHUS

- | | | | |
|-----------|---------|-----------------------|-------|
| R3871OUF2 | RED OAK | R9A0100MUF2 3" BEADED | MAPLE |
| R3871MUF2 | MAPLE | R9A0101MUF2 3" FLUTED | MAPLE |
| R3871CUF2 | CHERRY | | |

QUALITY CROWN MOULDING & CORBELS

Crown Moulding

Our high quality solid wood Crown Moulding is available in two profiles, two lengths, 5 wood species, with or without rope or dentil. No splices, no blemishes, 100% yield from each piece.



8' CROWN MOULDING

- M0468OUF2 3" X .769" RED OAK
- M0468MUF2 3" X .769" MAPLE
- M0468CUF2 3" X .769" CHERRY
- M0491OUF2 4.09" X .8125 RED OAK
- M0491MUF2 4.09" X .8125 MAPLE
- M0491CUF2 4.09" X .8125 CHERRY



6" X 9" GRAPE CORBEL-BEADED

CCG0202MUF1 MAPLE

6" X 9" GRAPE CORBEL-FLAT

CCG0203MUF1 MAPLE

CCG0203RUF1 RUBBERWOOD

6" X 9.5" X 6.25"



9" X 13" GRAPE CORBEL-BEADED

CCG0302MUF1 MAPLE

9" X 13" GRAPE CORBEL-FLAT

CCG0303MUF1 MAPLE

CCG0303RUF1 RUBBERWOOD

3" X 13" X 9"



7.64" X 3" GRAPE CORBEL-BEADED

CCG0702MUF1 MAPLE

3" X 7.64" X 2"

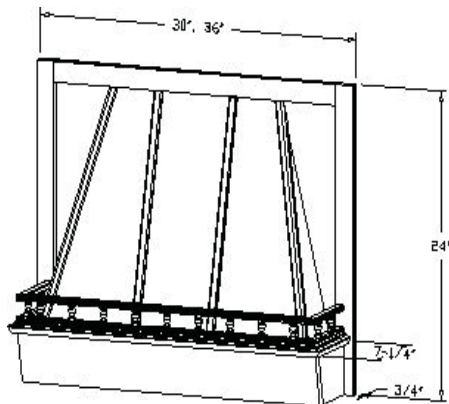


5" X 3" GRAPE CORBEL-BEADED

CCG0802MUF1 MAPLE

3" X 5" X 2"

OMEGA RANGE HOODS



30" RANGE HOOD W/LINER

- | | |
|--------------|---------|
| R1130SMBOUF1 | RED OAK |
| R1130SMBMUF1 | MAPLE |
| R1130SMBCUF1 | CHERRY |

36" RANGE HOOD W/LINER

- | | |
|--------------|---------|
| R1136SMBOUF1 | RED OAK |
| R1136SMBMUF1 | MAPLE |
| R1136SMBCUF1 | CHERRY |



Omega Wood Range Hood

Our Omega Wood Hoods feature the design that started it all. Manufactured from solid wood and wood veneers, our wood hoods offer the timeless design your customers want. Including assembled galley rail and white 24 gauge liner, this hood is an inexpensive way to offer a custom look. Available in Red Oak, Maple, Hickory, Cherry, Alder and A

USE BROAN SELECT SERIES VENTILATION MODULE

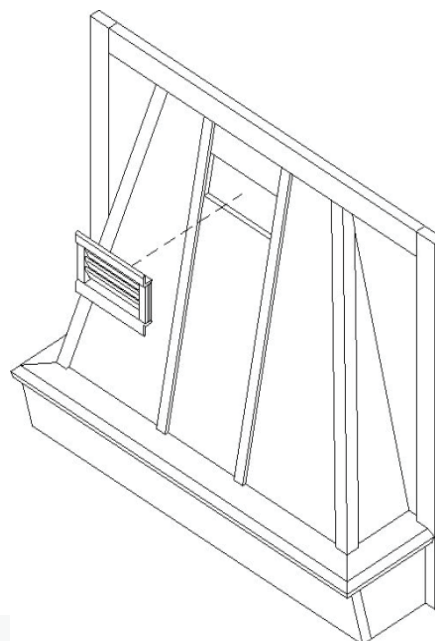
Range Hood Grille Kit

Available in Red Oak, Maple, Hickory and Cherry. Unfinished kit includes:

- (2) 7" long slotted louver stiles (1-left, 1-right)
- (2) 12" long rails,
- (7) 11" long slats

GRILL KITS

- | | |
|-----------|---------|
| 90353OUF2 | RED OAK |
| 90353MUF2 | MAPLE |
| 90353CUF2 | CHERRY |

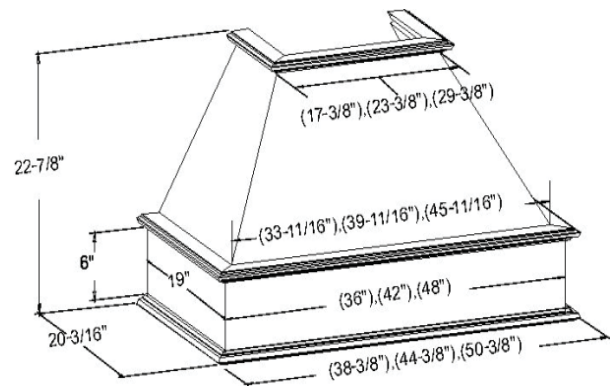
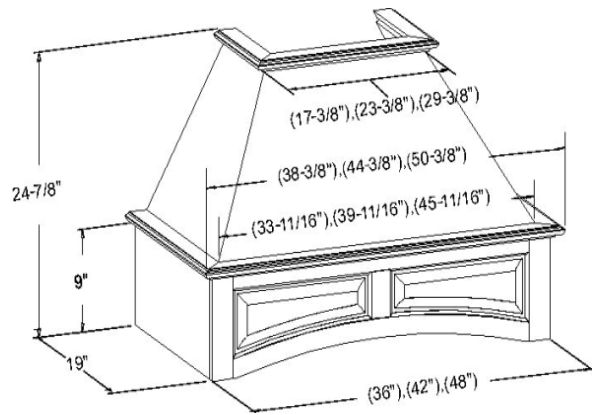


SIGNATURE SERIES RANGE HOODS



Signature Series Range Hood Cover

Truly the ultimate in Semi-Custom Wood Hood fabrication, we offer our Signature Series Wood Hoods for 36", 42" and 48" applications. High-End style and sophisticated design are the hallmarks of this collection. Fabricated from quality hardwoods and designed for easy installation, the Signature hoods are available with trimmable chimneys for any height ceiling. These hoods are designed to be compatible with our 600 CFM Ventilator Power Modules and offered in two distinct styles, Straight and Arched. Available in Red Oak, Maple, Hickory, Cherry and Alder. Biscuit colored liner (included) is designed to work our with Sirius Blower units. Stainless Steel Liners available.



36" STRAIGHT VALENCE

R2136SMSIOUF1 RED OAK
R2136SMSIMUF1 MAPLE
R2136SMSICUF1 CHERRY

42" STRAIGHT VALENCE

R2142SMSIOUF1 RED OAK
R2142SMSIMUF1 MAPLE
R2142SMSICUF1 CHERRY

36" ARCHED RAISED PANEL

R2636SMSIOUF1 RED OAK
R2636SMSIMUF1 MAPLE
R2636SMSICUF1 CHERRY

42" ARCHED RAISED PANEL

R2642SMSIOUF1 RED OAK
R2642SMSIMUF1 MAPLE
R2642SMSICUF1 CHERRY

USE SIRIUS VENTILATION MODULE PART # SUT90070M

ARCHED RAISED PANEL

36" X 9"

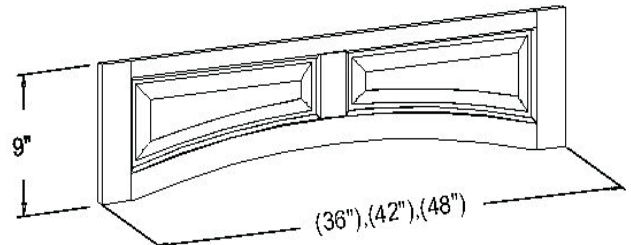
V2636OUF1
V2636MUF1
V2636CUF1

RED OAK
MAPLE
CHERRY

42" X 9"

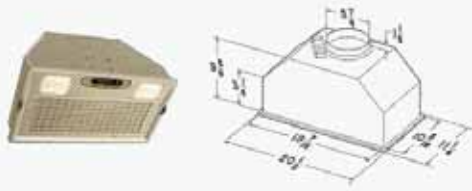
V2642OUF1
V2642MUF1
V2642CUF1

RED OAK
MAPLE
CHERRY



RANGE HOOD POWER MODULES & BLOWERS

BROAN Select Series Ventilation Power Module: RHVBB20SM



- 390 CFM / 6 sones
- Silver Metallic finish
- Three-speed slide control
- Heat Sentry detects excessive heat and adjusts speed automatically
- Dual 40 watt lighting (not included)

BROAN Select Series Ventilation Power Module: RHVBB10SM



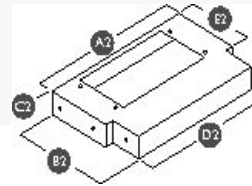
- 250 CFM / 8 sones
- Silver Metallic finish
- Two-speed motor, rocker control
- Dual 40 watt lighting (not included)

Interior Duct Kit



- Kits for ducting range hood exhaust back into the kitchen
- Complete with charcoal filter

All **BROAN** products are HVI, UL and CUL certified



OPENING IS 19-7/16" X 10-3/16"

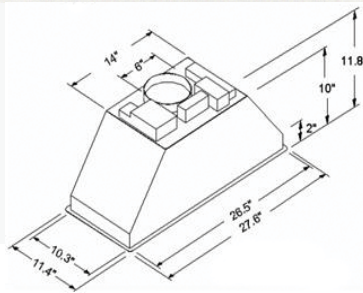
DESIGNED FOR BROAN POWER MODULES

| MODULE MODEL# | PART # | DISCRIPTION | A2 | B2 | C2 | D2 | E2 |
|---------------------|-----------|------------------------|-------|--------|----|--------|---------|
| RHVBB20SM/RHVBF10SM | 090654SM2 | RH LINER 30" NOTCHED | 28.5" | 18.25" | 4" | 15.25" | 11.1251 |
| RHVBB20SM/RHVBF10SM | 090655SM2 | RH LINER 36" NOTCHED | 28.5" | 18.25" | 4" | 15.25" | 11.125" |
| RHVBB20SM/RHVBF10SM | 090656SM2 | RH LINER 30" RECTANGLE | 28.5 | 18.25 | 4" | ---- | ---- |
| RHVBB20SM/RHVBF10SM | 090657SM2 | RH LINER 36" RECTANGLE | 34.5" | 18.25" | 4" | ---- | ---- |

Signature Series Ventilation Power Modules

Manufactured exclusively for our Signature Series Rangehoods by Sirius, these ventilations are incredibly powerful and extremely quiet. Rated at 600 CFM and available in 20" and 27" versions. Stainless steel and cosmetically sleek, these power modules' 4 independent speeds can be controlled manually or by remote control.

- 600 CFM
- 3.9 SONES
- 4 SPEED BLOWER
- (2) 20 WATT HALOGEN LAMPS
- DISH WASHER SAFE FILTERS
- 430 STAINLESS STEEL
- # 4 BRUSHED FINISH



SIRIUS VENTILATION POWER MODULES

| | | |
|-----------|------------------|-----------|
| SUT90070M | 600 CFM INTERNAL | STAINLESS |
| SUT90070W | 600 CFM INTERNAL | STAINLESS |

WITH REMOTE CONTROL

LINER DESIGNED FOR SIRIUS POWER MODULES

OPENING IS 26-7/8" X 10-9/16"

| MODULE MODEL# | PART # | DISCRIPTION | A2 | B2 | C2 | D2 | E2 |
|---------------------|------------|-----------------------|--------|--------|----|------|------|
| SUT90070M/SUT90070W | 090SS36ST1 | RH LINER 30" STRAIGHT | 30.43" | 18.25" | 4" | ---- | ---- |
| SUT90070M/SUT90070W | 090SS42ST1 | RH LINER 42" STRAIGHT | 40.43" | 18.25" | 4" | ---- | ---- |

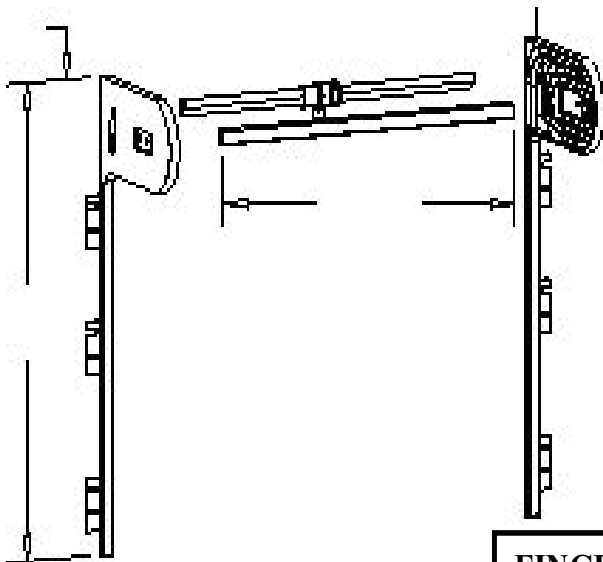
TAMBOUR DOOR & TRACK MATERIAL



WOOD VENEER TAMBOUR DOORS

WOOD VENEER BONDED TO MDF
AND BONDED TO CLOTH BACKED
CARRIER IN 4'X8' SHEETS

| | | |
|--------|-------|---------|
| GT231M | 4'X8' | MAPLE |
| GT231R | 4'X8' | RED OAK |



Finger-Lite™ Tambour Track System

Our patented Finger-Lite™ Tambour Track System is available in Face Frame and Frameless styles. Designed for tambour thicknesses up to 3/16", system includes spring, bushing, 2 spacer rails, fasteners and installation instructions.

FINGER LITE TAMBOUR TRACK SYSTEM

TO4019002-WO1 18-1/4" FACE FRAME TRACK BROWN

T04049002-WO1 17-1/2" FRAMELESS TRACK WHITE

TO4029002-WO1 FINGER LITE HARDWARE PACK